



 mitoredlight

USER MANUAL

Universal Stand

www.mitoredlight.com

© 2020 Mito Red Light, Inc. All rights reserved.

CONTENTS

CONTENTS AND PRECAUTIONS	2
WARNING	3
PRODUCT SPECIFICATIONS	4
PARTS LIST	5
CASTOR INSTALL	6
INSTALL TELESCOPIC MOUNTING POLES	7
SETTING UP MOUNTING POLES	8
VERTICAL MOUNTING ASSEMBLY	9
SELECTION OF MOUNTING PATTERNS	10
VERTICAL ASSEMBLY TIP	11
HORIZONTAL STAND INSTRUCTIONS	12
SCREW HORIZONTAL METAL STRUCTURE TO PANEL	13
MITOADAPT 2.0 BRACKET INSTALLATION	14

Some helpful assembly videos are available here:
<https://mitoredlight.com/pages/user-manual>

PRECAUTIONS

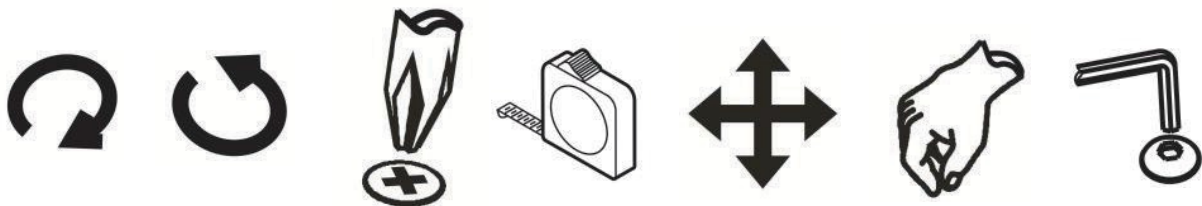
We reserve the right to modify or alter instructions. No modification or alteration without formal notice.

- The universal stand is used for Mito Red Light Therapy panels only.
- Please ensure the stand is placed on level floor.
- Please ensure the wheels are locked after installation.
- Children should not use unless approved by a physician.

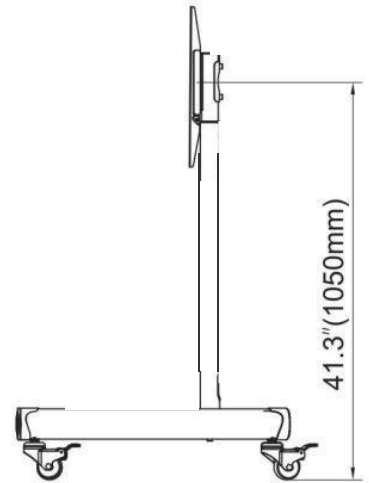
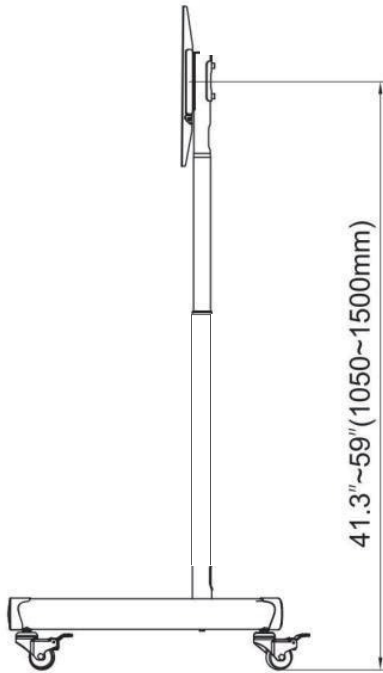
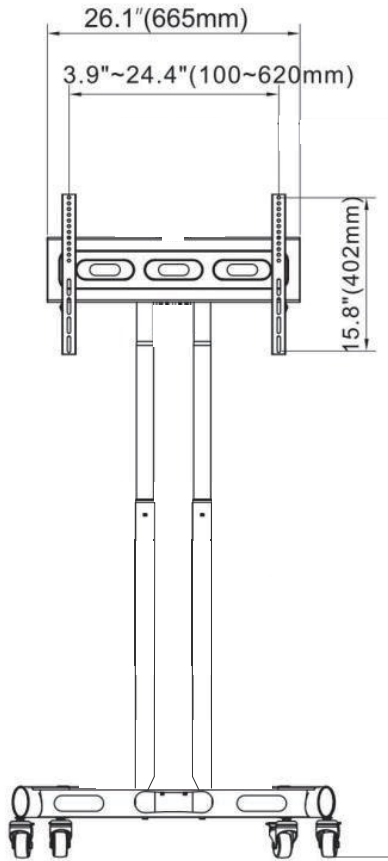
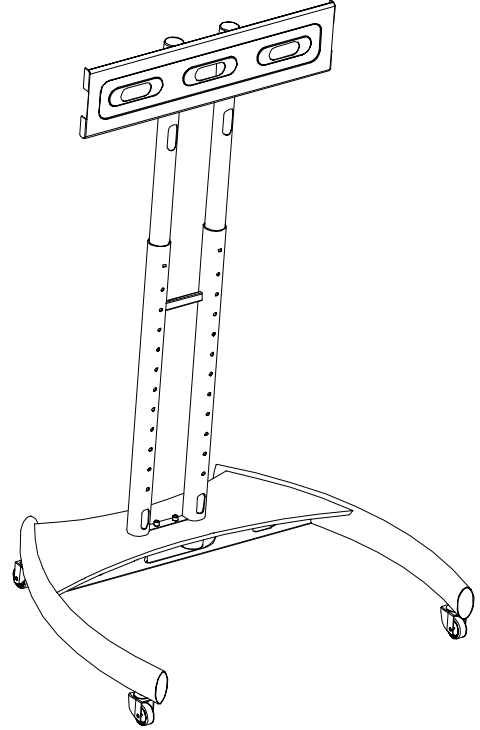
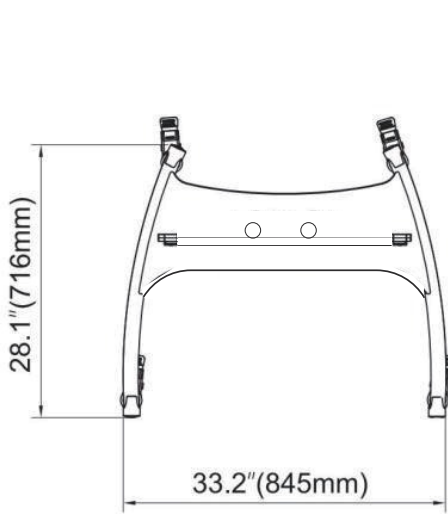
WARNING

Severe personal injury and property damage can result from improper installation or assembly. Read this user manual carefully before beginning.

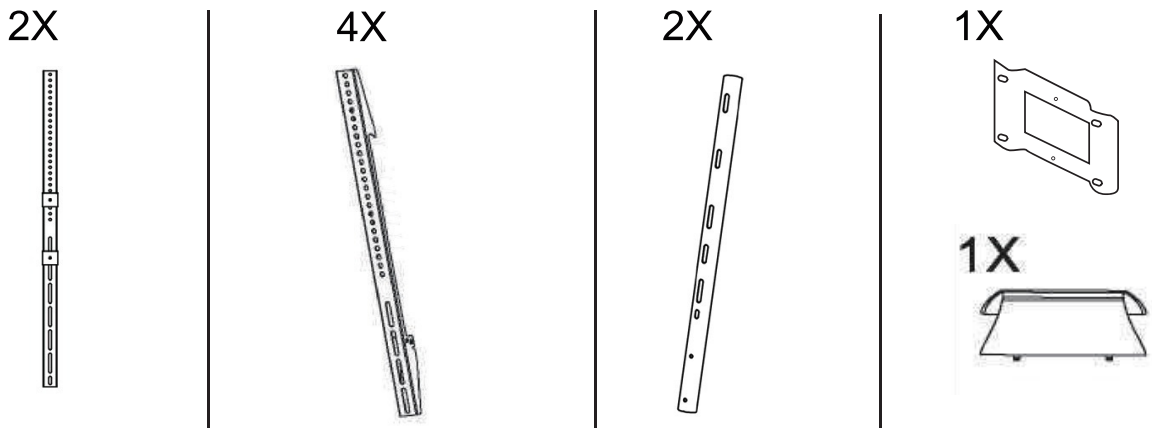
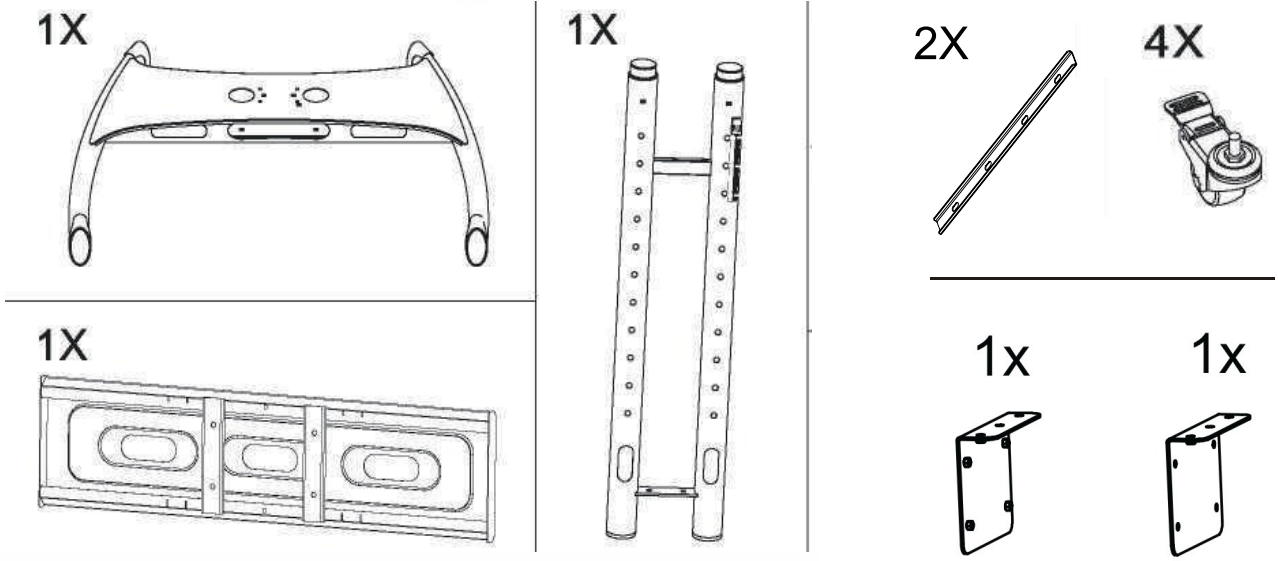
- If you do not understand the instructions or have any concerns or questions, please contact Mito Red Light (contact details can be found on page 16).
- Do not install or assemble if the product or hardware is damaged or missing, if you require replacement parts, please contact Mito Red Light for assistance.
- This product fits most 21" x 71" maximum weight of red light therapy panel is 46 KG or 100 lbs.
- Do not use this product for anything other than the original design.
- This product contains moving parts, please use with caution.
- The manufacturer disclaims any liability that the modifications, improper installation, or installation over the specified weight range. The manufacturer will not be liable for any damages arising out of the use of or inability to use, the product.
- All images are a reference only.












PRODUCT SPECIFICATIONS



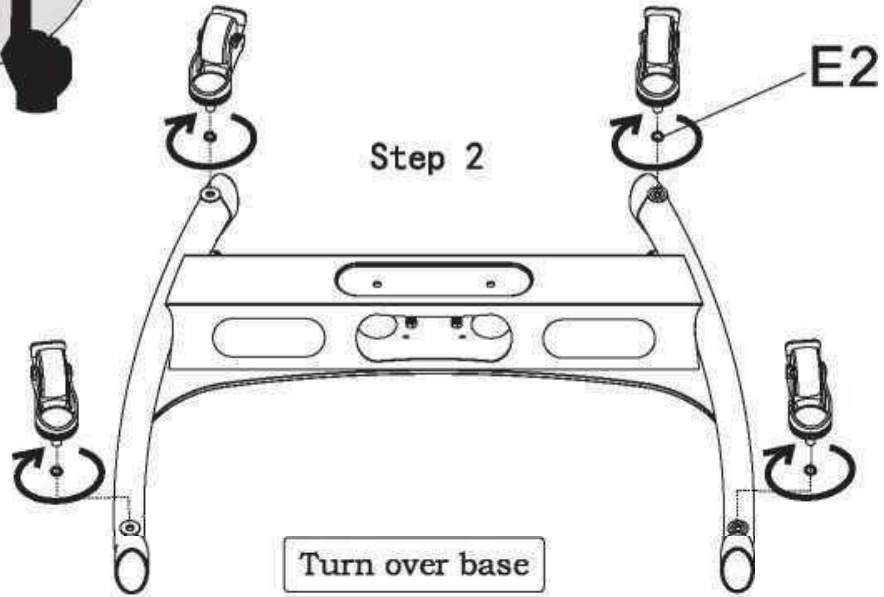
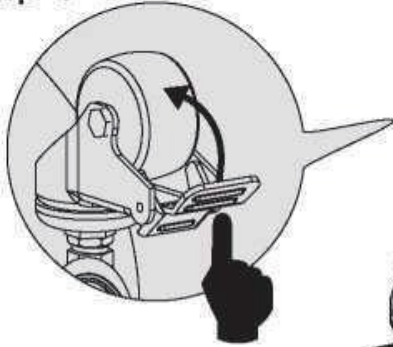
PARTS LIST



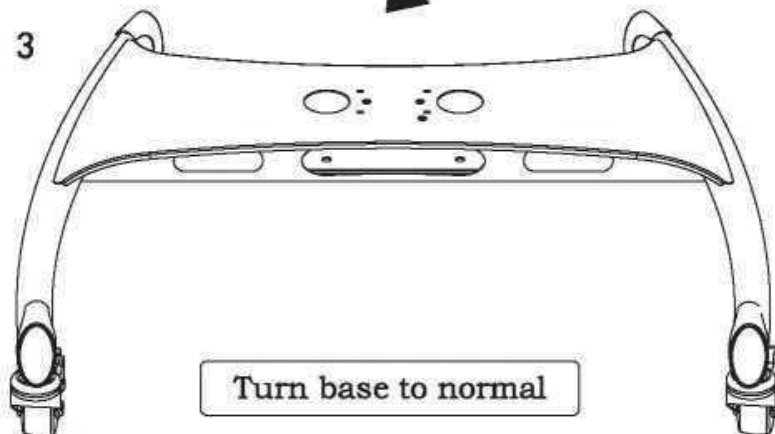
- | | | | | | | | |
|---|---|---|---|---|---|---|---|
| A
6X | B
8X | C
4X | D
2X | E
4X | F
1X | G
26X | H
1X |
|  |  |  |  |  |  |  |  |
| M8x25mm | M8x65mm | M5x12mm | | | 16.5x12.5x2mm | M6x8mm | 77x27.6x5mm |
| 4X | | | | | | | |
|  | | | | | | | |
| M8x50X35mm | | | | | | | |

STEP 1: ADD CASTOR WHEELS TO BASE INSTALLATION

Step 1

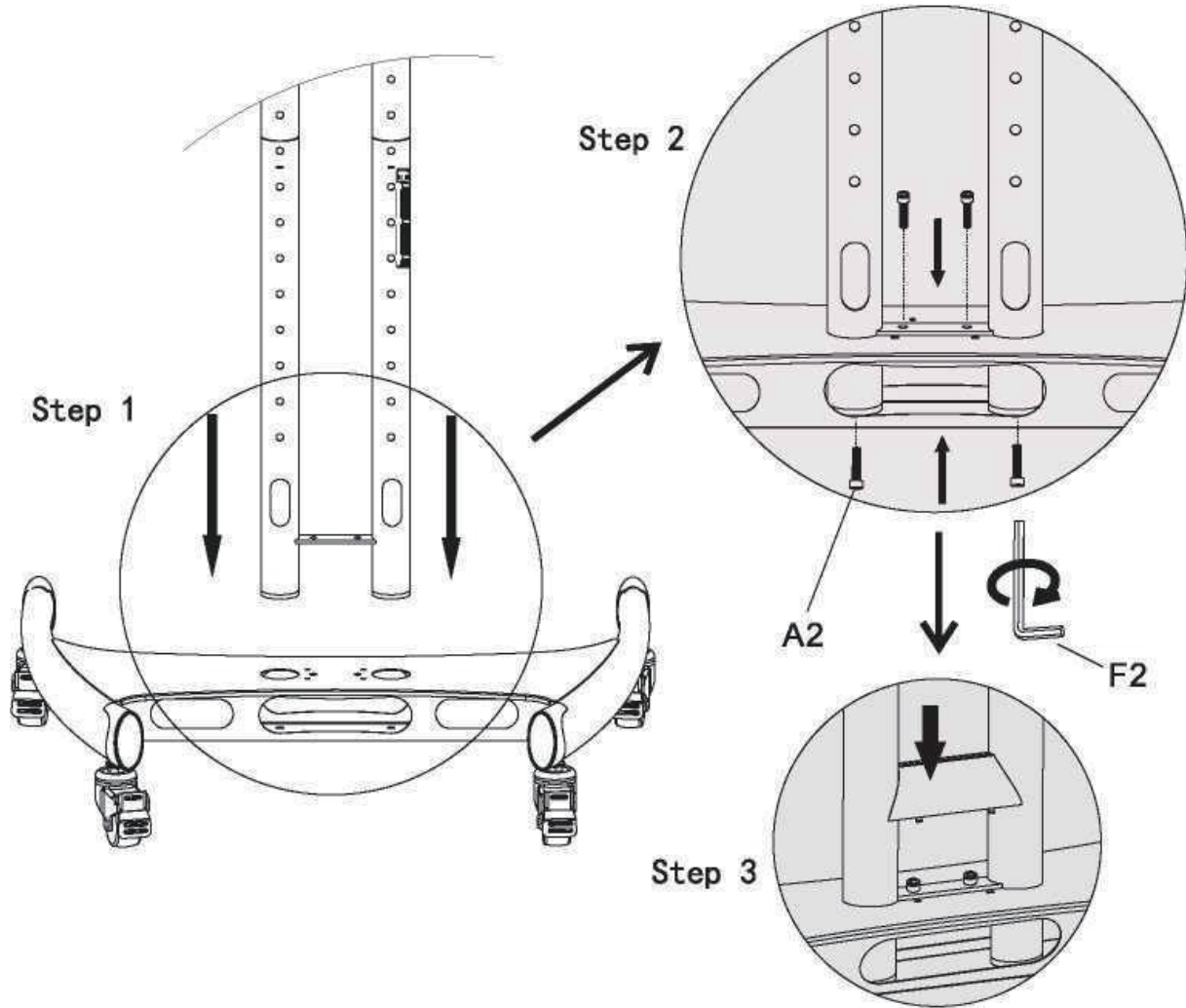


Step 3



STEP 2: POST ASSEMBLY TO BASE INSTALLATION

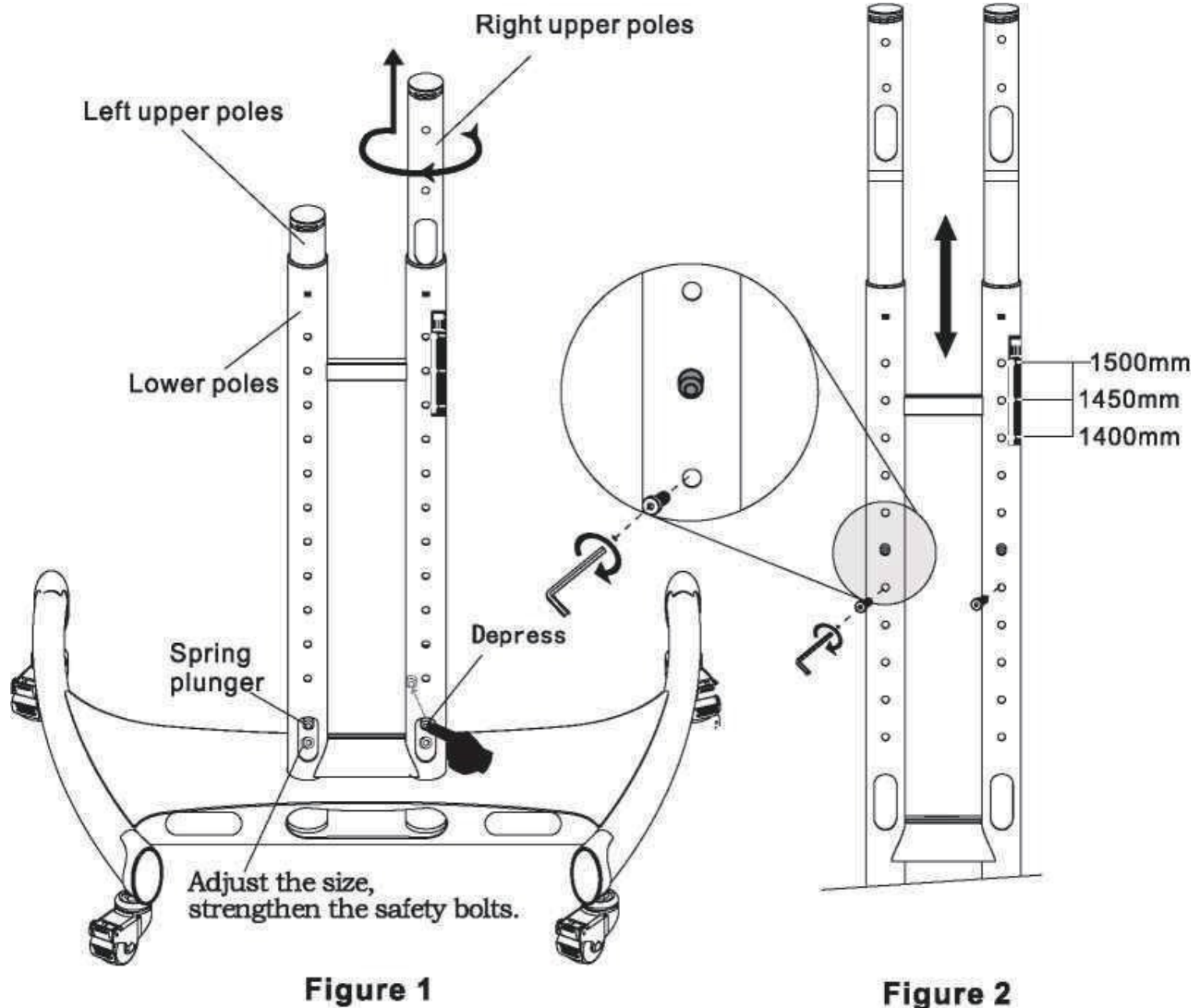
Note: Make sure cable management holes are facing the rear of the house



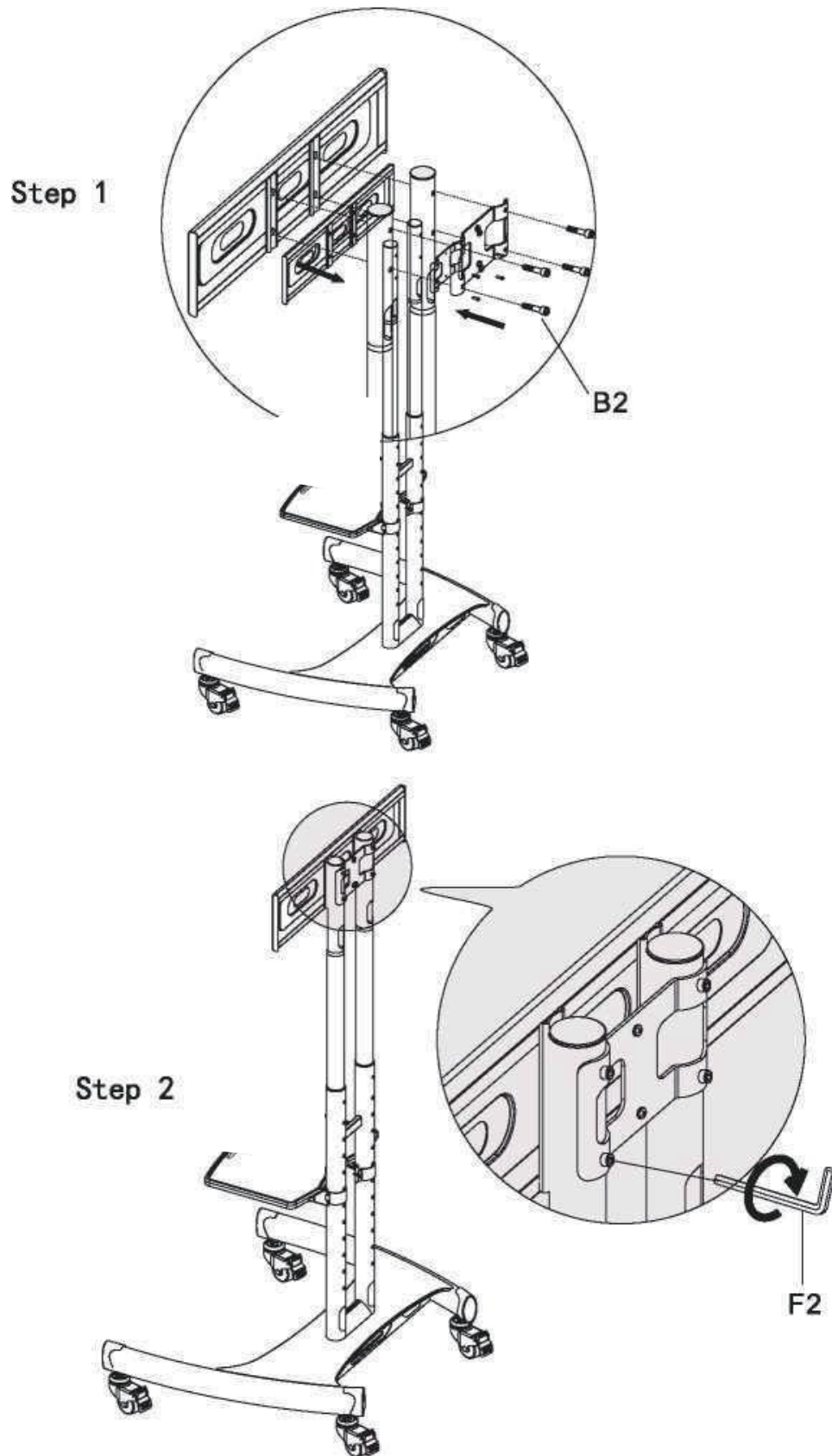
STEP 3: INSTALL TELESCOPIC MOUNTING POLES

Step 1: Use thumb or finger to depress the right upper pole spring plunger ball located at the cable window, pull upper pole upward until your desired height. Twist upper pole towards the plunger holes direction and engage the spring ball into the plunger hole and set as shown in figure 1.

Step 2: repeat with the left pole.

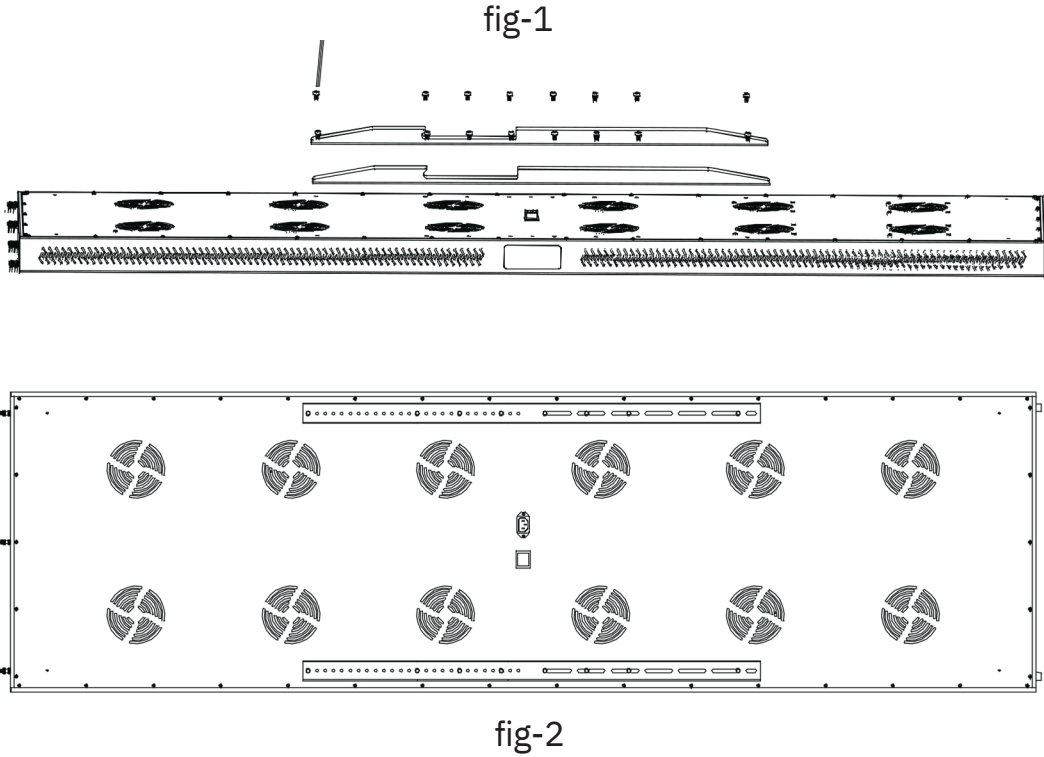


VERTICAL STAND ASSEMBLY INSTRUCTIONS

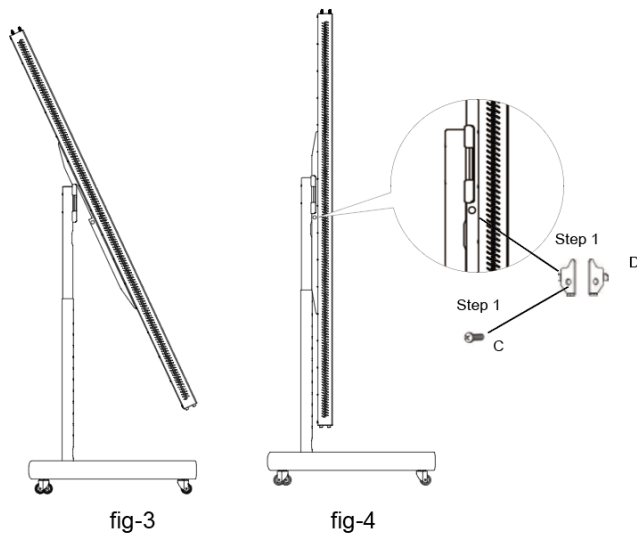


SELECTION OF MOUNTING PATTERNS

Step 1: Screw the vertical stand mounting brackets to panel as shown (single panel example)



** See product specific user manuals / video tutorials for bracket install instructions as the brackets vary by Series.
<https://mitoredlight.com/pages/user-manual>



Step 2:
 Hang the panel (with vertical mounting brackets) on the cross bracket. Then to secure the panels to the stand, install parts C and D on each side of the vertical brackets as shown (fig-4).

INSTRUCTIONS: VERTICAL STAND

KEY FINAL ASSEMBLY TIP

Step 1: Align attachment D as shown in the image to the below.

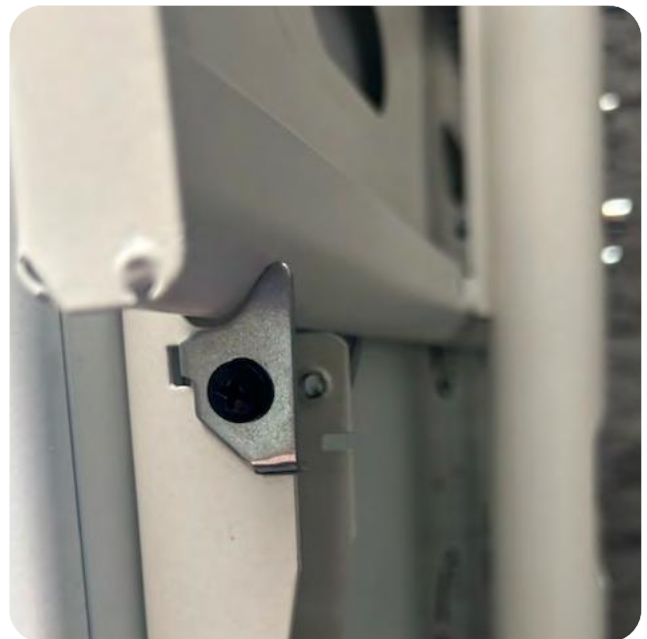


Step 2: Screw in the attachment. Location of the attachment on the stand is shown in the image below.

The holes for the screws and attachments are located on the outside of the outer brackets.

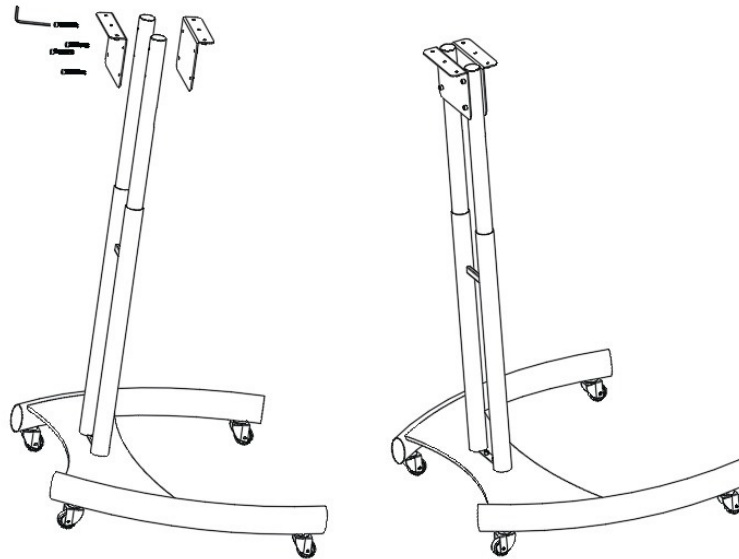


Some helpful assembly videos are available here: <https://mitoredlight.com/pages/user-manual>



HORIZONTAL STAND ASSEMBLY INSTRUCTIONS

The base and telescopic mounting installation is the same as the previous example. Then connect and fix Horizontal L-form mounting kit 'A' with the telescopic mounting, as shown below



Attach poles with 60mm screws to steel L-form plates as shown below

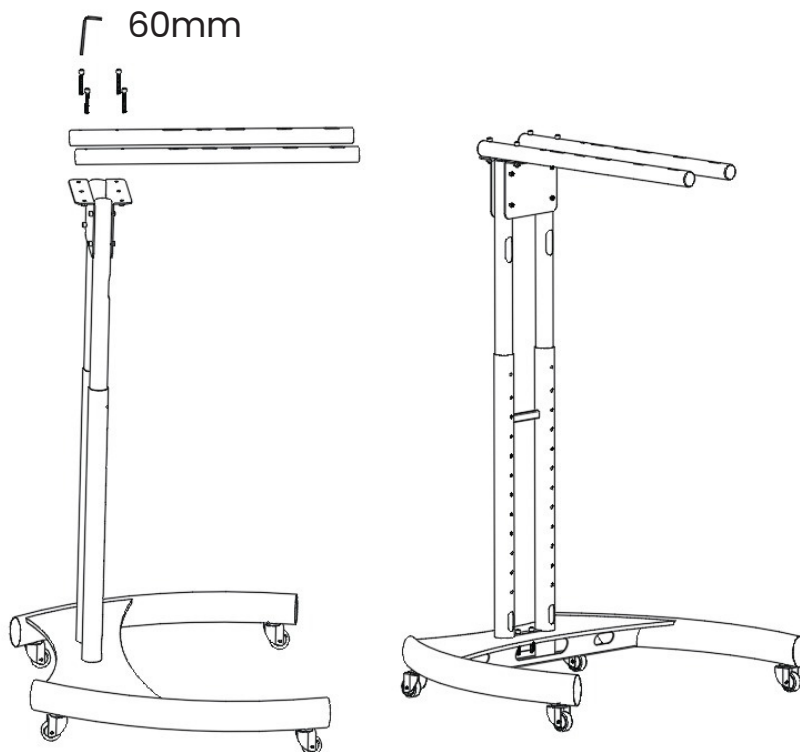
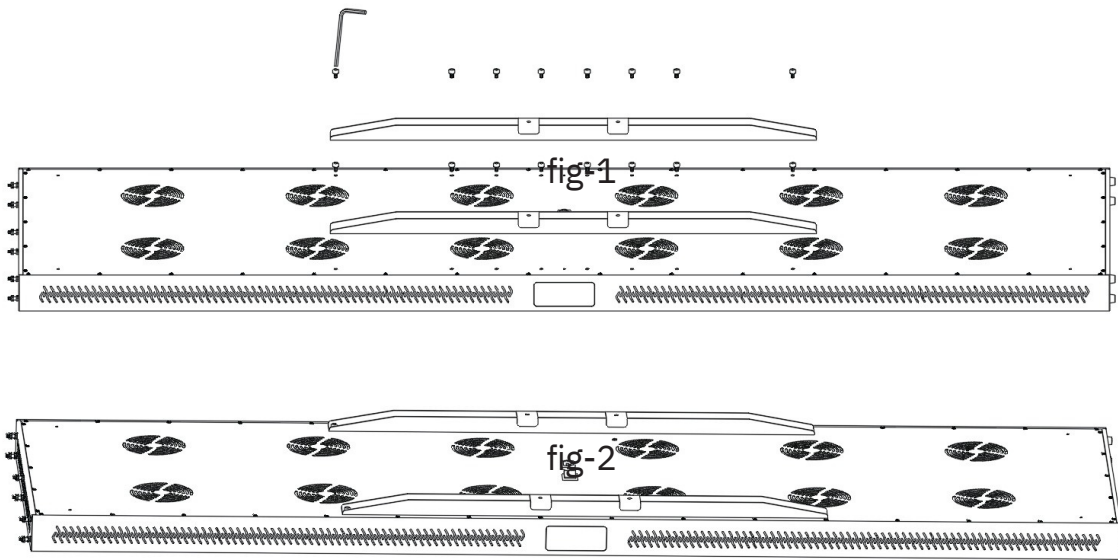


fig-2

SCREW HORIZONTAL METAL BRACKETS TO PANEL

1. Screw horizontal metal brackets to panel. *note - see product specific user manuals / video tutorials for bracket install instructions as the brackets vary by Series
<https://mitoredlight.com/pages/user-manual>



2. Fix panel (with horizontal metal bracket attached) with bolts as shown below:

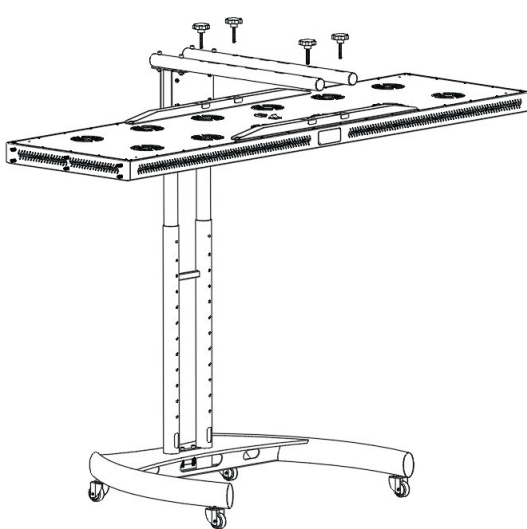


fig-3

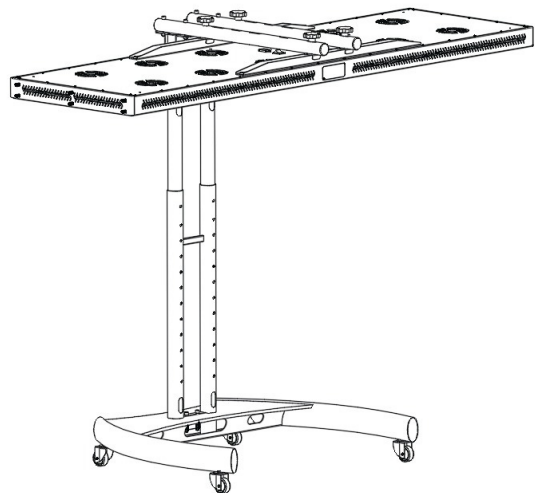
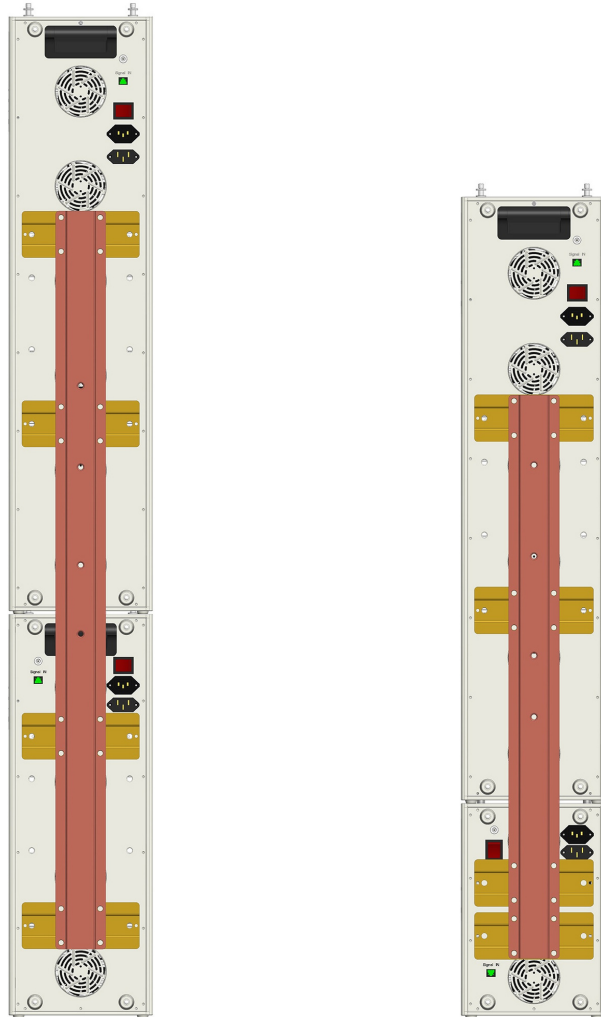


fig-4

MITOADAPT 2.0 BRACKET INSTALLATION

1 MitoADAPT MAX 2.0 1 MitoADAPT MAX 2.0
+ +
1 MitoADAPT MID 2.0 1 MitoADAPT MIN 2.0



- Rubber feet remain on the bottom of the MitoADAPT MAX 2.0.
- Remove the hanging posts from the top of the bottom light.
- Lay out panels and install brackets as shown. Two additional sets of brackets will be included . One set will need to be installed depending on the stand configuration (vertical vs horizontal).

*Note - see product specific user manuals / video tutorials for bracket install instructions as the brackets vary by series-
<https://mitoredlight.com/pages/user-manual>





www.mitoredlight.com

If you have any further questions, please feel free to contact us at:

info@mitoredlight.com

You can also call our phone number

Monday - Friday 9am - 5pm MST

+1 866-861-6486

Mail correspondence can be sent to:

Mito Red Light, Inc

9319 N 94th Way, Suite 400 Scottsdale, AZ 85258



User Manual and Instructional Videos

This user manual and instructional videos can be found here:

<https://mitoredlight.com/pages/user-manual>

Updated September 2023

FOLLOW US!

