



 mitoredlight

Universal Stand

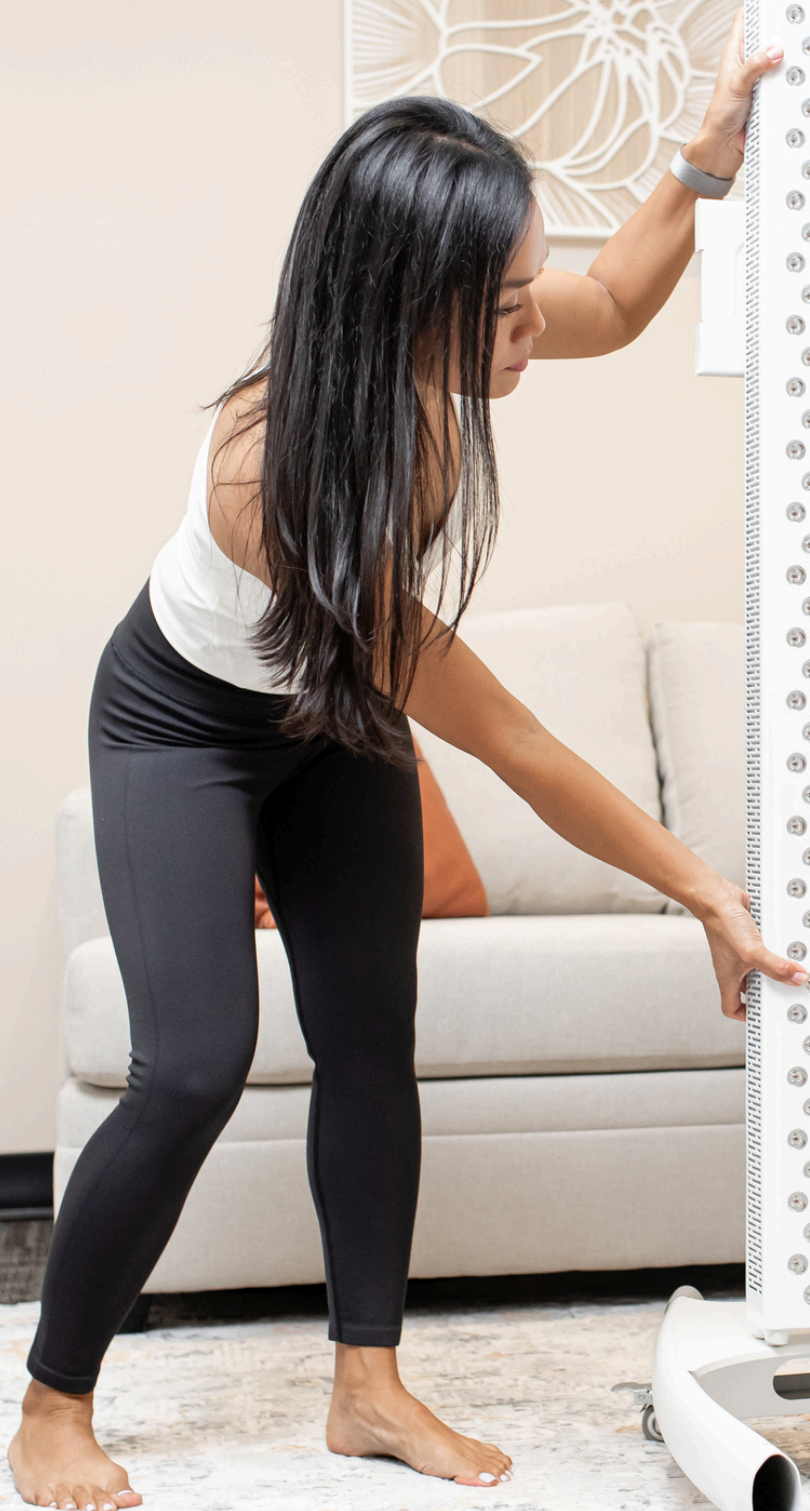
USER MANUAL

www.mitoredlight.com

© 2025 Mito Red Light, LLC. All rights reserved.

UPGRADE YOURSELF

Enhance your well being with next-gen light therapy.



 mitoredlight



TABLE OF CONTENTS

CONTENTS AND PRECAUTIONS.....	3
WARNING.....	4
PRODUCT SPECIFICATIONS.....	5
PARTS LIST.....	6
BASE ASSEMBLY INSTRUCTIONS.....	7
VERTICAL STAND ASSEMBLY INSTRUCTIONS.....	13
HORIZONTAL STAND ASSEMBLY INSTRUCTIONS	21

Some helpful assembly videos are available here:
<https://mitoredlight.com/pages/user-manual>

PRECAUTIONS

We reserve the right to modify or alter instructions. No modification or alteration without formal notice.

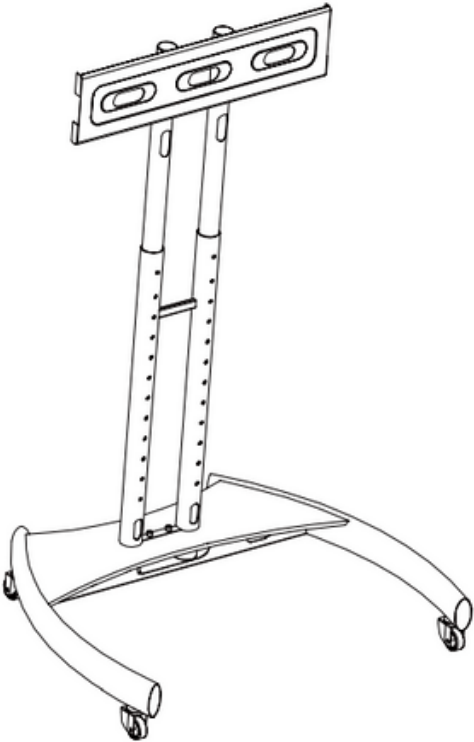
- The universal stand is used for Mito Red Light Therapy panels only.
- Please ensure the stand is placed on level floor.
- Please ensure the wheels are locked after installation.
- Children should not use unless approved by a physician.

WARNING

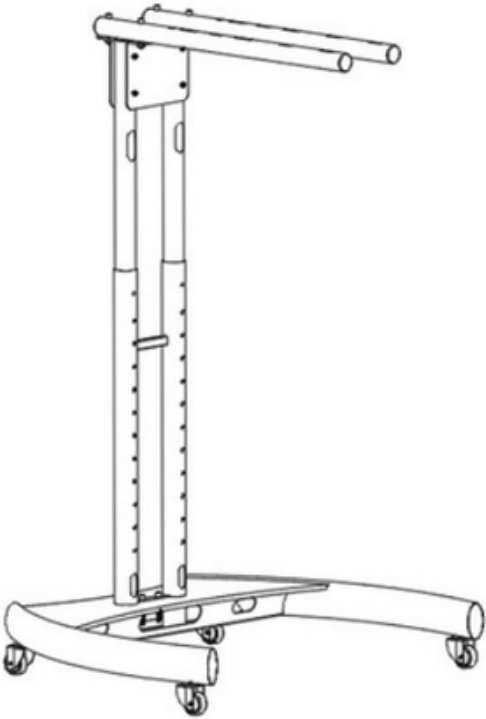
Severe personal injury and property damage can result from improper installation or assembly. Read this user manual carefully before beginning.

- If you do not understand the instructions or have any concerns or questions, please contact Mito Red Light (contact details can be found on page 16).
- Do not install or assemble if the product or hardware is damaged or missing, if you require replacement parts, please contact Mito Red Light for assistance.
- This product fits most 21" x 71" maximum weight of red light therapy panel is 46 KG or 100 lbs.
- Do not use this product for anything other than the original design.
- This product contains moving parts, please use with caution.
- The manufacturer disclaims any liability that the modifications, improper installation, or installation over the specified weight range. The manufacturer will not be liable for any damages arising out of the use of or inability to use, the product.
- All images are a reference only.

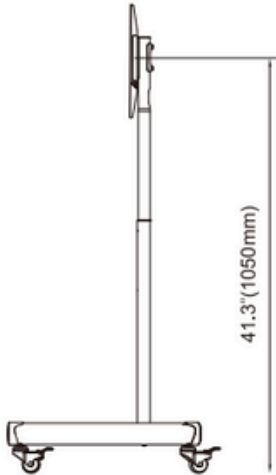
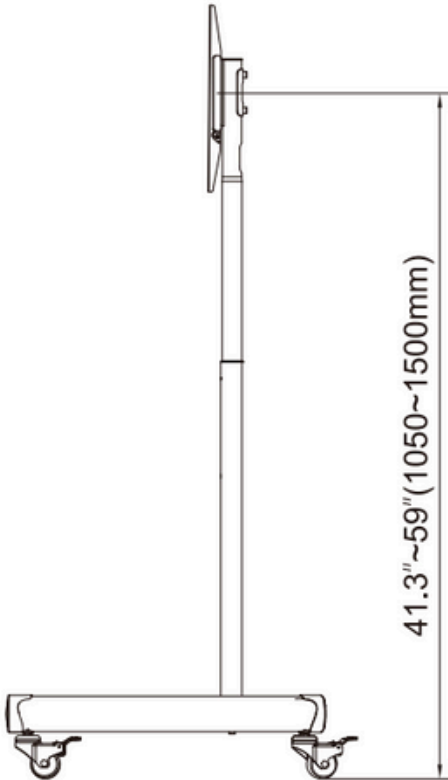
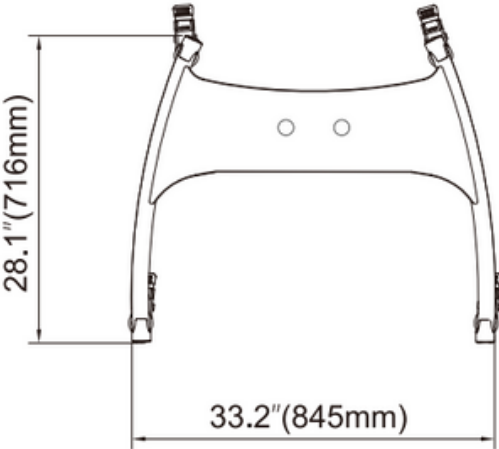
PRODUCT SPECIFICATIONS



Vertical Mounting



Horizontal Mounting



PARTS LIST

A
6X



M8x25mm

B
8X



M8x65mm

C
4X



M5x12mm

D
2X



E
4X



F
1X



M6

G
26X



M6x8mm

H
1X



M5

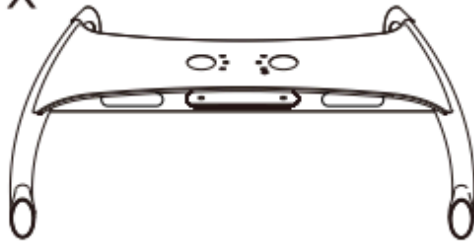
I

4X

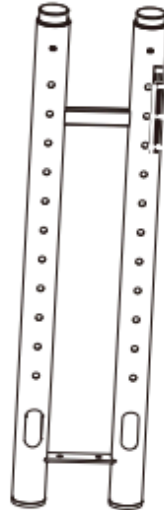


M8x50X35mm

J
1X



K
1X



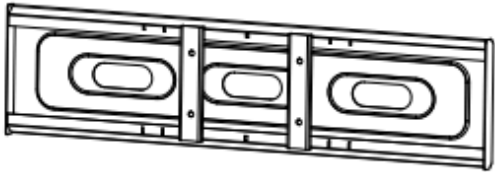
L
2X



M
4X



N
1X



O 1X



P 1X



Q
2X



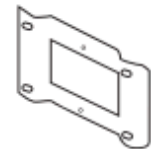
R
4X



S
2X



T
1X



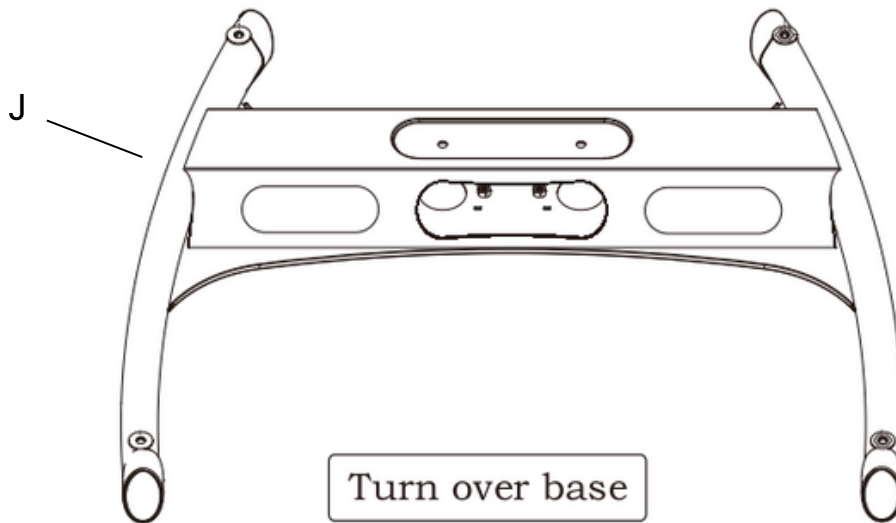
U 1X



BASE ASSEMBLY INSTRUCTIONS

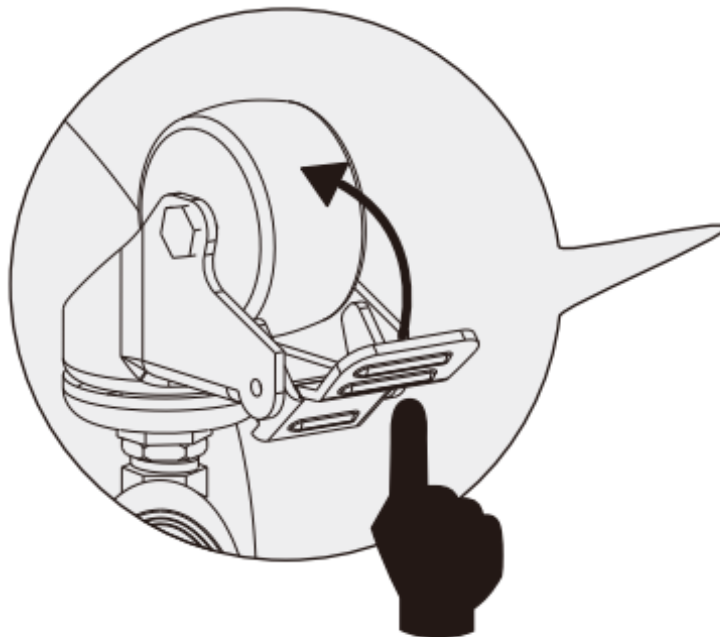
Step 1:

- Locate the base (J) and carefully flip it upside down.



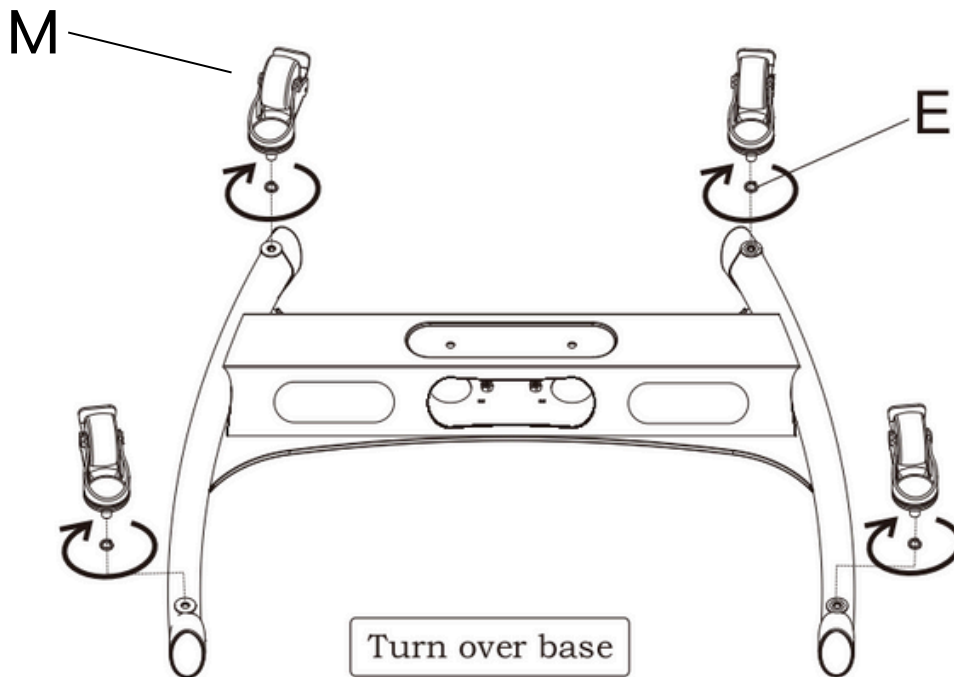
Step 2:

- Find the four caster wheels (M).
- Press the brakes on each caster wheel (M) to prevent the base (J) from moving during installation.



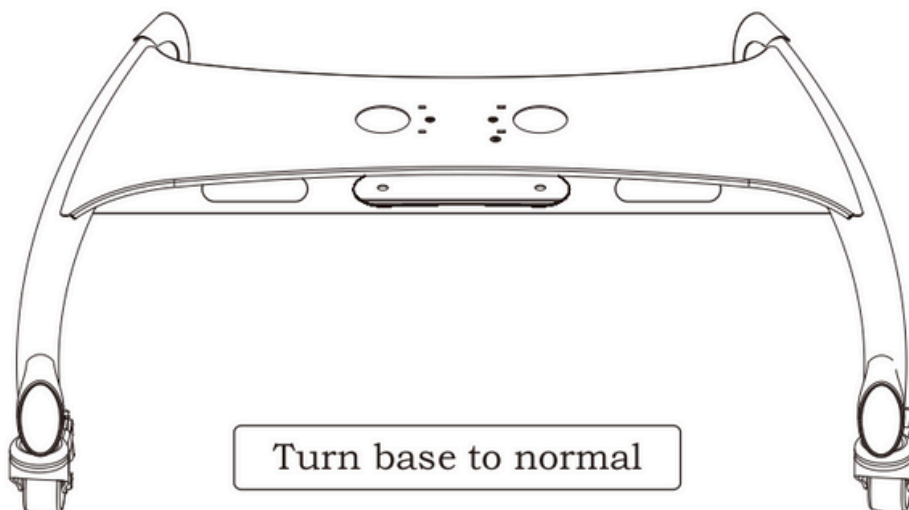
Step 3:

- Locate four washers (E).
- Place one washer (E) onto each caster wheel (M).
- Screw each caster wheel (M) clockwise into the four corners of the base as shown in the diagram. Ensure they are tightly secured.



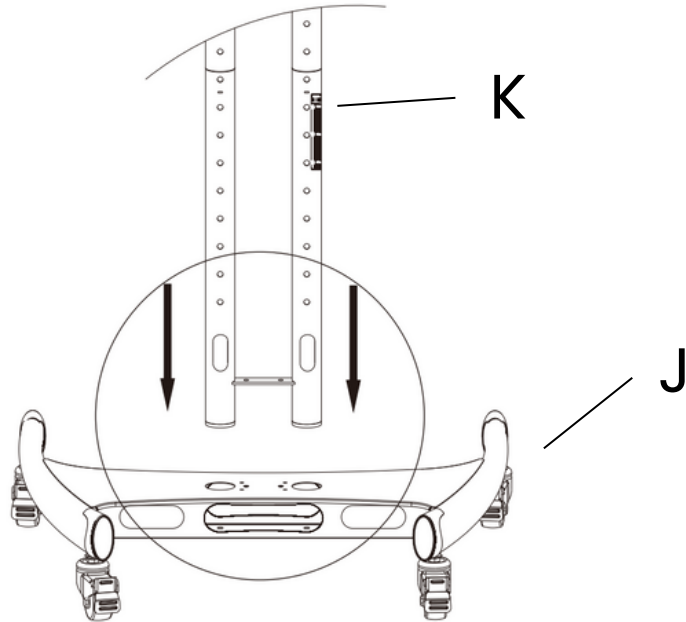
Step 4:

- Return the base (J) to its normal position, placing it on the ground with the caster wheels facing downward.



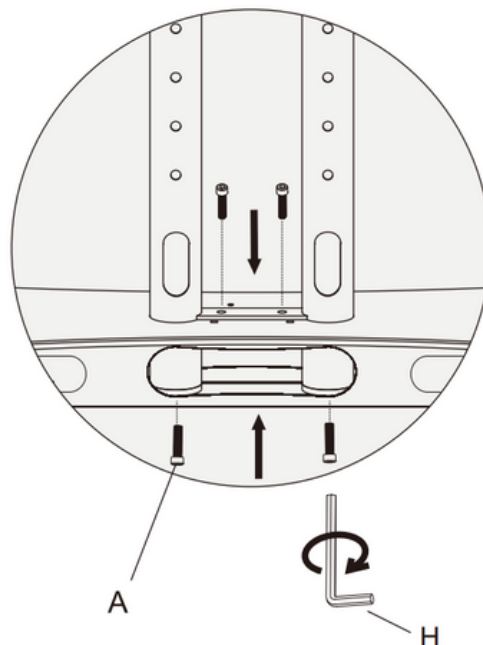
Step 5:

- Locate the vertical poles (K).
- Align the vertical poles (K) with the slots on the base (J). Make sure the cable management holes are facing the rear of the base (J).
- Gently lower the poles into the designated slots, ensure they are securely seated.



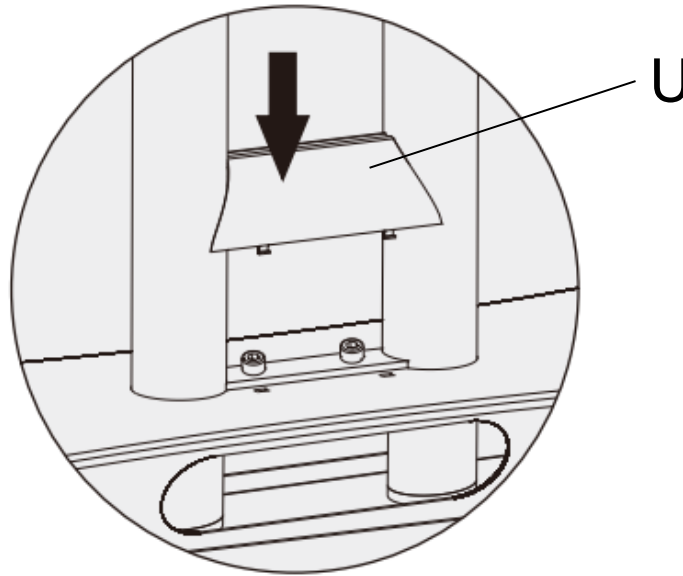
Step 6:

- Locate four bolts (A)
- Insert two bolts (A) from the top and two bolts from the bottom into their designated holes in the base (J).
- Use the included Allen wrench (H), tighten the bolts by turning them clockwise until snug. Avoid over-tightening.



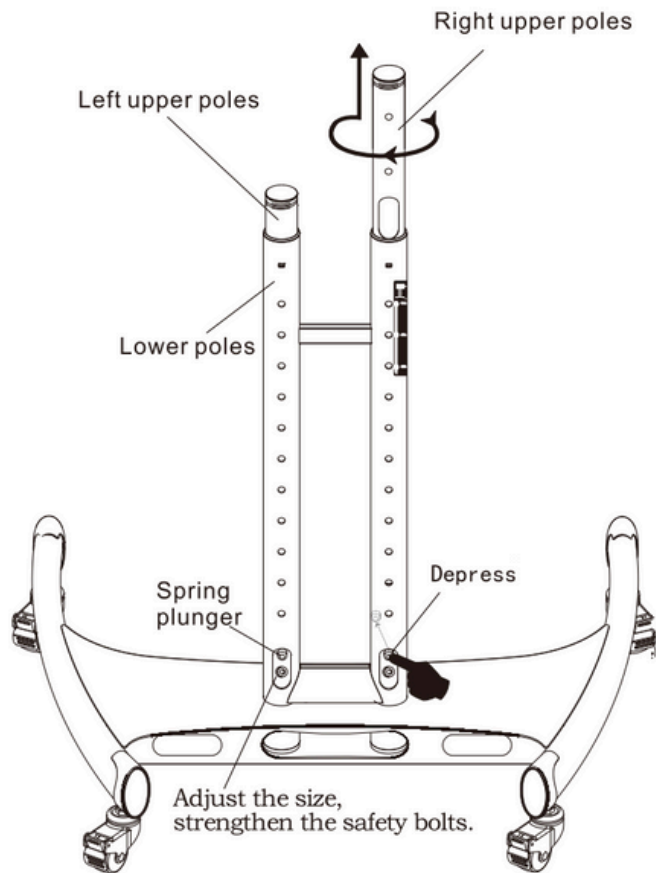
Step 7:

- Verify that the poles are securely attached and properly aligned.
- Once confirmed, slide the cover (U) over the top holes. Gently pinch the cover to help the tabs insert into the holes for a secure fit. This step will enhance the overall appearance of the assembly.



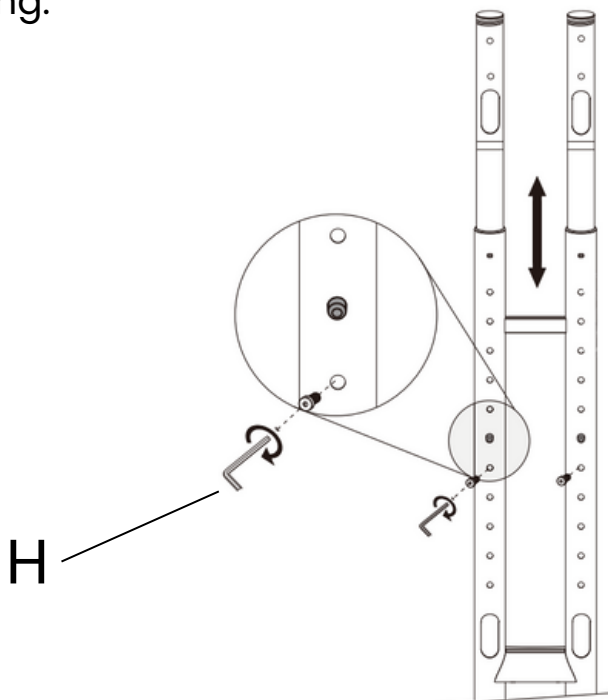
Step 8: Adjust The Height of The Poles

- Remove the security bolts that were preinstalled for shipping. This will allow you to choose the height of the poles.
- Locate the spring plunger ball on the right lower pole near the cable window.
- Using your thumb or finger, press the spring plunger ball to unlock the pole.
- Pull the upper pole upwards to your desired height.
- Align the spring plunger ball with the nearest plunger hole. Twist the pole slightly if needed to ensure the spring ball engages securely into the hole, as show below.
- Repeat the same process for the left upper pole, following the same steps to adjust it to the desired height.



Step 9:

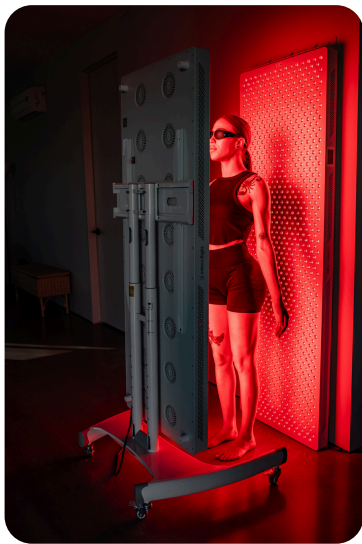
- Once both poles are adjusted to your desired height, reinsert the safety bolts into the predrilled holes located one position above the plunger.
- Tighten the safety bolts using the included Allen wrench (H) to lock the poles firmly in place. Ensure the bolts are snug but avoid over-tightening.



DECISIONS

VERTICAL OR HORIZONTAL MOUNTING

At this stage in the assembly process, you will need to decide how you want to mount your red light panels: either vertically or horizontally. This decision depends on your specific space constraints, preferences, and intended use of the panels. Vertical mounting is ideal for maximizing height coverage, making it suitable for full-body treatments or setups in narrow spaces. Horizontal mounting, on the other hand, is perfect for wider areas or where height is less of a concern. Consider your setup location and session needs carefully before proceeding, as this choice will determine the orientation of the mounting adapters and how the panels will be installed in the next steps.



VERTICAL MOUNTING

Pages 13-18



HORIZONTAL MOUNTING

Pages 21-26

Notes:

- Ensure all rubber feet are removed from the rear of the panels before beginning the assembly process. Note that the small feet on the bottom of the panels should remain in place.
- MitoADAPT Panels - detach the hanging posts from the top of the bottom panel to prepare it for installation.

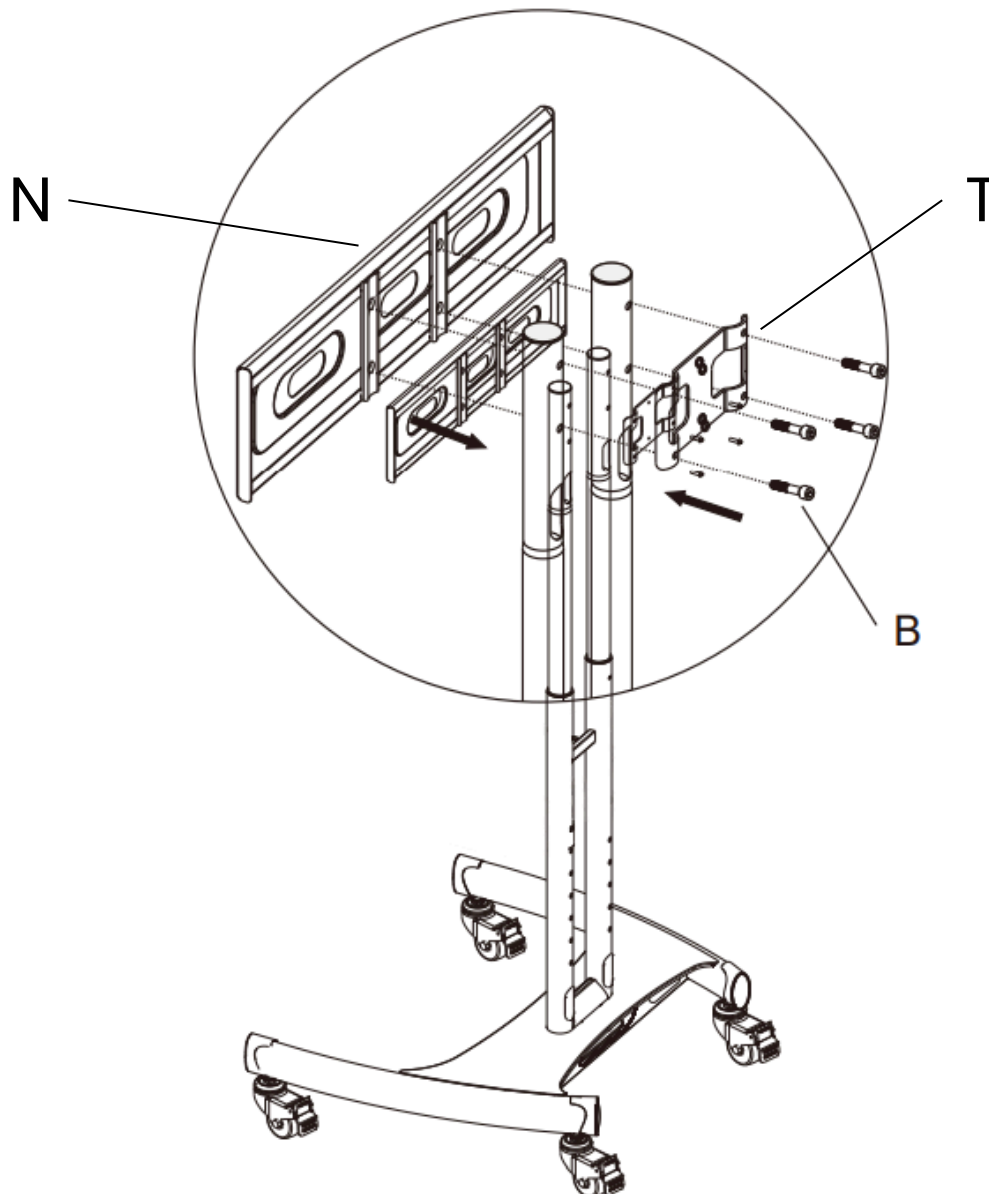


VERTICAL STAND ASSEMBLY

VERTICAL STAND ASSEMBLY INSTRUCTIONS

Step 1:

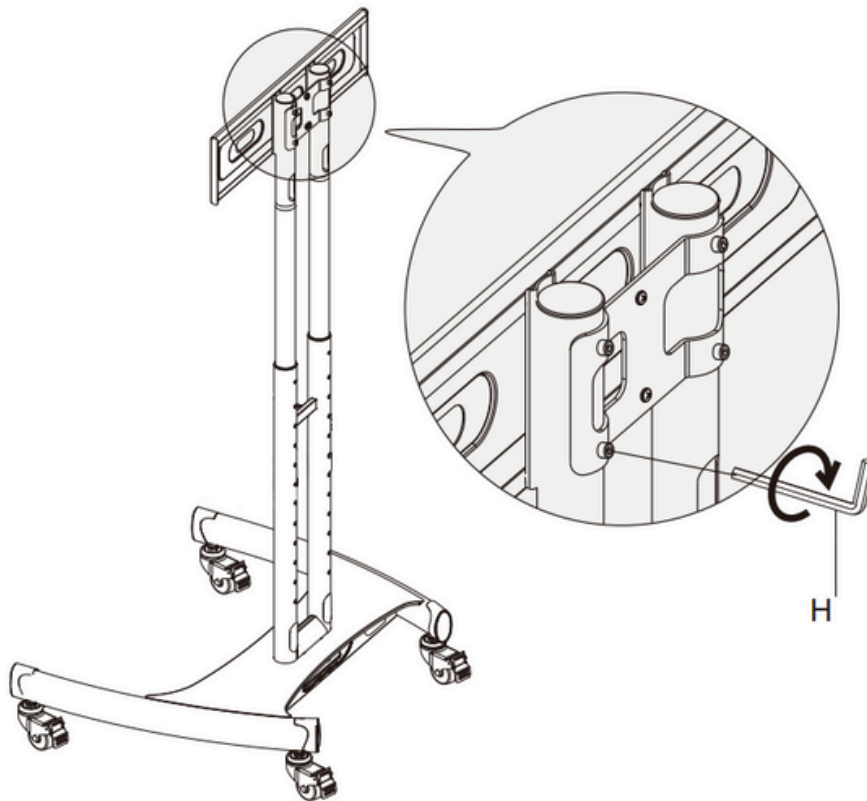
- Locate the front (N) and rear (T) vertical stand adapters, along with the four bolts (B).
- Align the adapters with the top of the poles, ensuring the four predrilled holes are properly aligned.
- Insert the bolts into the holes and hand-tighten them to hold the adapters in place.



VERTICAL STAND ASSEMBLY INSTRUCTIONS

Step 2:

- Using the provided Allen wrench (H), tighten the bolts clockwise until they are snug. Avoid over-tightening.



Step 3:

- Locate the four vertical mounting brackets (R) and the fourteen bolts (G).
- Ensure you have all the necessary components before proceeding to the next steps.

VERTICAL STAND ASSEMBLY INSTRUCTIONS

Step 4:

- Identify the specific panels included in your setup to determine the correct method for attaching the vertical mounting brackets (R).
- Refer to the diagrams below and hand-tighten the bolts (G) in alignment with the red dots for your panel configuration.

VERTICAL BRACKET INSTALLATION

MitoPRO+ and PRO X

Please note:

Always place the MitoPRO 1500+/X on top.

At least 3 screws on each side should be used to attach the brackets to the MitoPRO 1500+/X.

At least 3 screws on each side should be used to attach the brackets to the MitoPRO 750+/X



VERTICAL BRACKET INSTALLATION

MitoADAPT 3.0

Please note:

Always place the MitoADAPT MAX 3.0 as the top panel, and MitoADAPT MID 3.0 below.
Screw positions are noted in red circles on the below diagrams.
For MitoADAPT MEGA bracket installation, please next page.

Vertical Stand

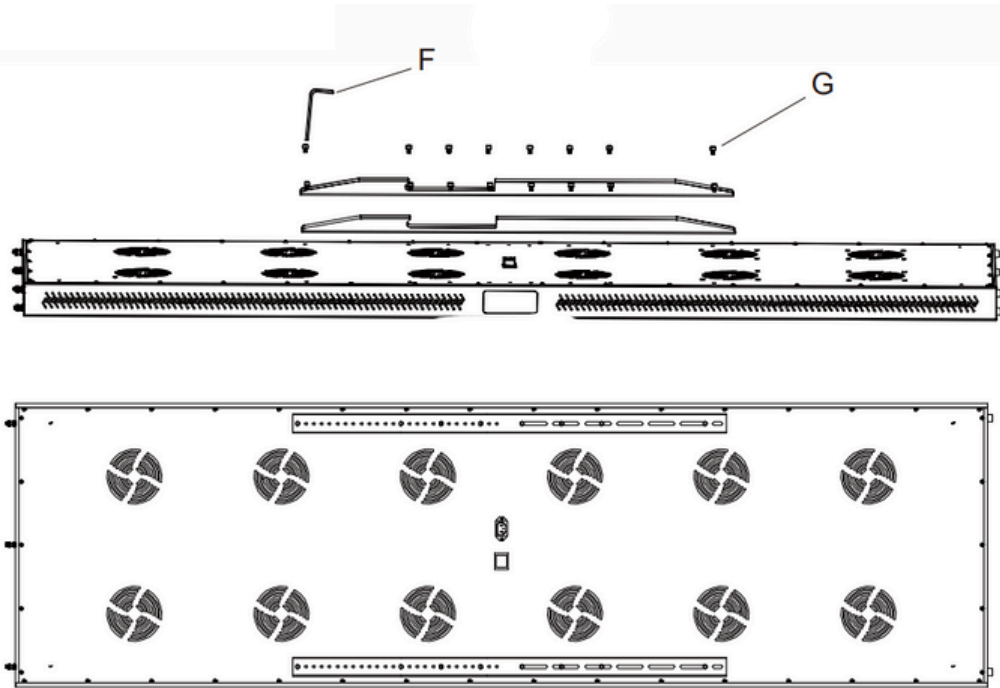
TOP
(MitoADAPT MAX)

BOTTOM
(MitoADAPT MID)



VERTICAL BRACKET INSTALLATION

MitoPRO+ Elite/Mega or MitoADAPT - Elite/Mega



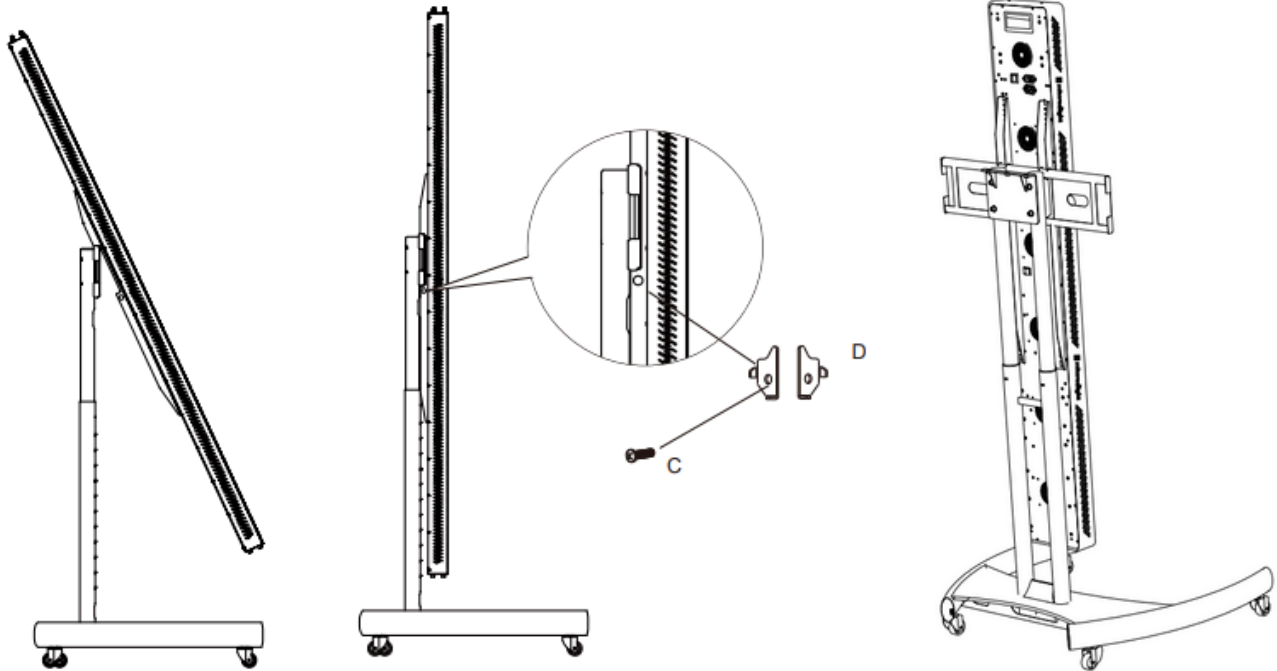
Step 5:

- Using the provided Allen wrench (F), tighten the bolts (G) securely by turning them clockwise. Ensure the bolts are snug, but avoid over-tightening to prevent damage.

VERTICAL STAND ASSEMBLY INSTRUCTIONS

Step 6:

- Carefully hang the panel, with the attached vertical mounting brackets, onto the vertical cross bracket already installed on the stand.



Step 7:

- Locate the two tab pieces (D) and two screws (C)
- Align the tab piece (D) as show in the image below. The holes for the screws and tab pieces are located on the outside of the outer brackets.
- Insert and tighten the screws (C) into the attachment to secure it in place.
- Ensure all components are properly aligned and tighten the screws securely to maintain stability.

Please note:

If you have ADAPT panels, this tab piece and screws will be slightly different and will be included with your ADAPT brackets. Refer to the section below for more information and pictures.

VERTICAL STAND ASSEMBLY INSTRUCTIONS

MitoPRO+ / MitoPRO X:

Use the metallic tab piece (D) included with the stand.



VERTICAL STAND ASSEMBLY INSTRUCTIONS

MitoADAPT Series:

The ADAPT-specific brackets are shipped separately from the stand and include longer, white tab pieces designed exclusively for the ADAPT series panels. Use the provided screws to securely attach the panels to the vertical stand. Each tab requires two screws for proper installation. Disregard the smaller metallic tabs.



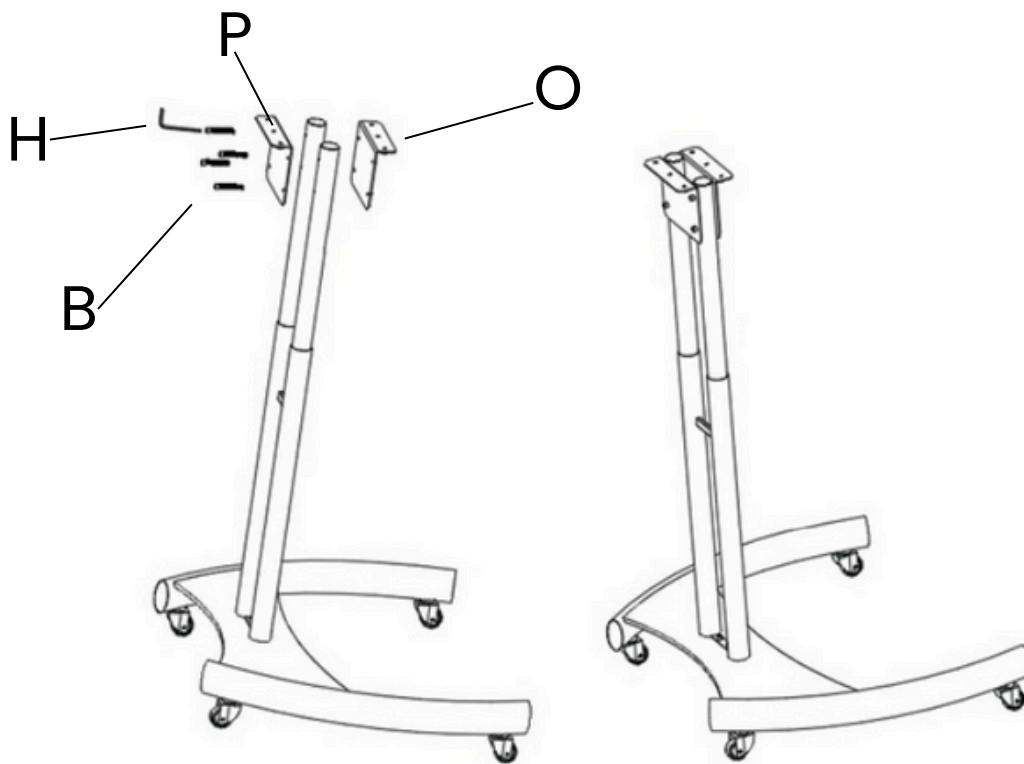


HORIZONTAL STAND ASSEMBLY

HORIZONTAL STAND ASSEMBLY INSTRUCTIONS

Step 1:

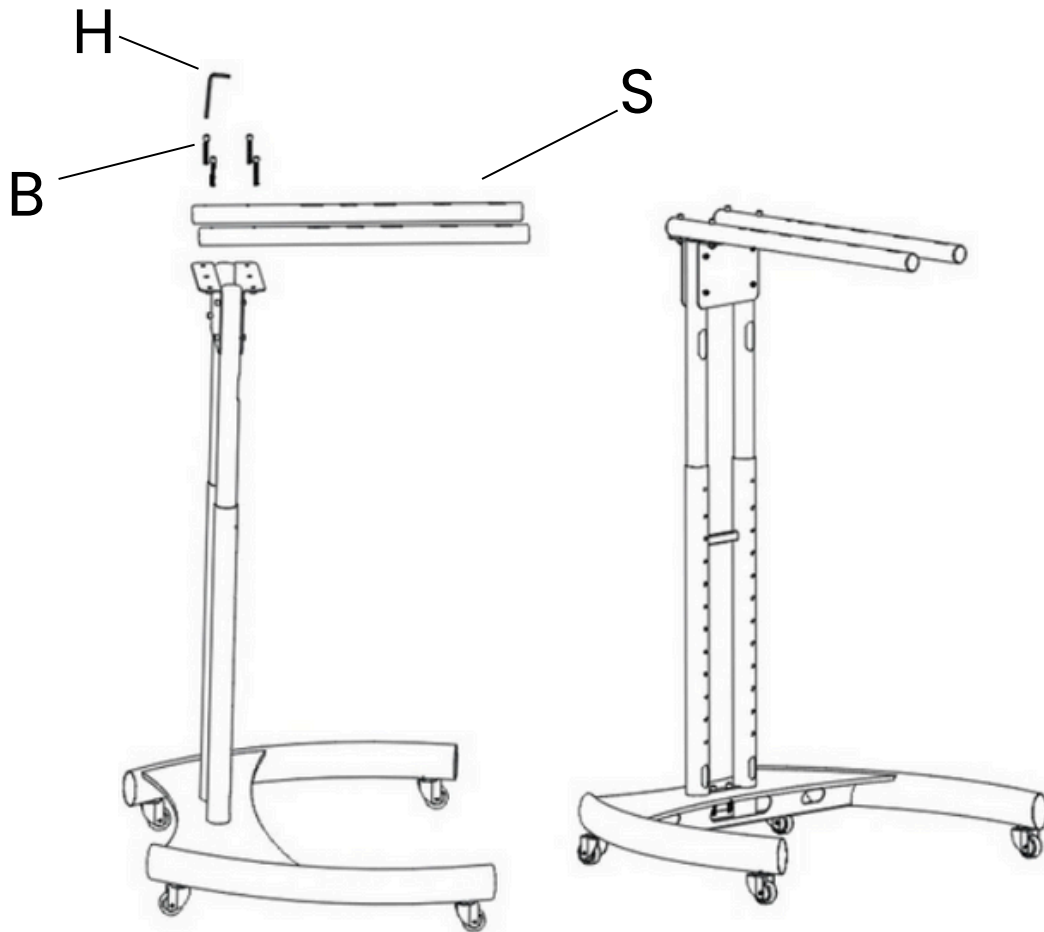
- Locate the two horizontal brackets (O) and (P), along with the four bolts (B).
- Position the bracket (O) so that it faces the front of the stand.
- From the rear of the stand, hand-tighten all four bolts (B) to temporarily hold the brackets in place.
- Use the included Allen wrench (H) to securely tighten the bolts. Ensure the bolts are snug but avoid over-tightening.



Step 2:

- Locate the two horizontal poles (S) and four bolts (B).
- Align the poles with the corresponding holes and hand-tighten the bolts into place.
- Use the included Allen wrench (F) to securely tighten the bolts, ensuring they are snug but not over-tightened.

HORIZONTAL STAND ASSEMBLY INSTRUCTIONS



Step 3:

- Locate two to four horizontal mounting bracket (depending on your set up) and the twenty-six bolts (G).
- Ensure you have all the necessary components before proceeding to the next steps.

Step 4:

- Identify the specific panels included in your setup to determine the correct method for attaching the horizontal mounting brackets (Q).
- Refer to the diagrams below and hand-tighten the bolts (G) in alignment with the red dots for your panel configuration.

HORIZONTAL BRACKET INSTALLATION

MitoPRO+ and MitoPRO X

Configured with MitoPRO 750+ and 1500+ or MitoPRO 750X and 1500X



Please note:

Always place the MitoPRO 1500+/X on top.

At least 4 screws on each side should be used to attach the brackets to the MitoPRO 1500+/X.

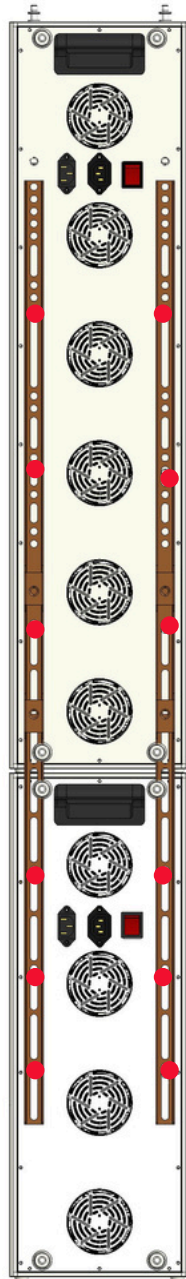
At least 3 screws on each side should be used to attach the brackets to the Mito PRO 750+/X.

HORIZONTAL BRACKET INSTALLATION

MitoADAPT 3.0

Horizontal Stand

**TOP
(MitoADAPT MAX)**



**BOTTOM
(MitoADAPT MID)**

Please note:

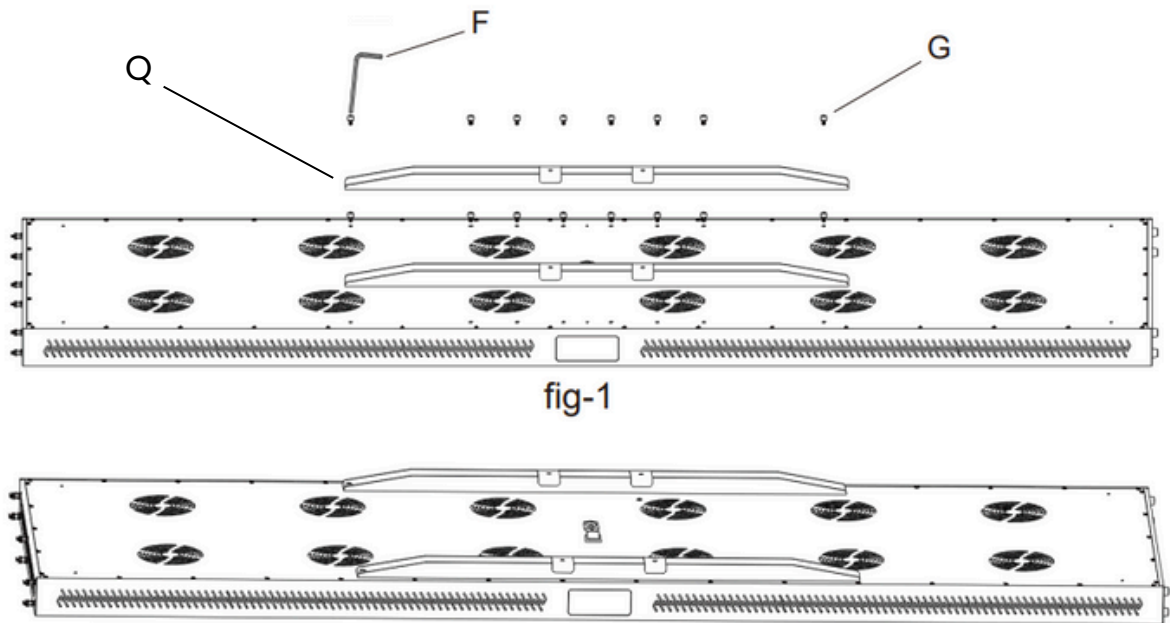
Always place the MitoADAPT MAX 3.0 as the top panel, and MitoADAPT MID 3.0 below.

At least 3 screws on each side should be used to attach the brackets to the MitoADAPT MAX.

At least 3 screws on each side should be used to attach the brackets to the MitoADAPT MID.

HORIZONTAL BRACKET INSTALLATION

MitoPRO+ Mega or the MitoADAPT Mega only. Not the Elite panel.

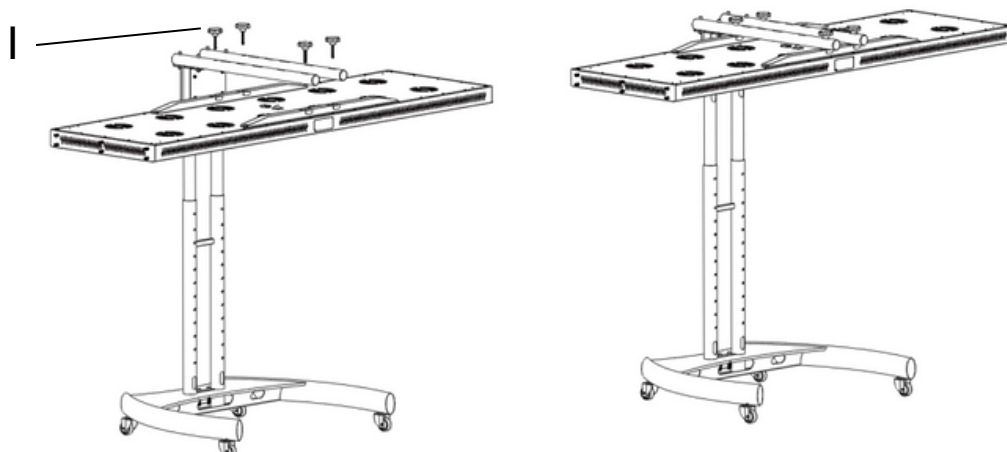


Step 5:

- Using the provided Allen wrench (F), tighten the bolts (G) securely by turning them clockwise. Ensure the bolts are snug, but avoid over-tightening to prevent damage.

Step 6:

- Locate the four knobs (I)
- This will require two people. One to hold the panels and one to tighten the knobs.
- Carefully position the panel beneath the horizontal poles, ensuring the attached horizontal mounting brackets are properly aligned.
- Secure the panel by screwing in the four knobs (I). Tighten the knobs by hand until they are secure, but avoid over tightening.





www.mitoredlight.com

User Manual and Instructional Videos

This user manual and instructional videos can be found here:

<https://mitoredlight.com/pages/user-manual>

If you have any further questions, please feel free to contact us at:

info@mitoredlight.com

You can also call our phone number

Monday - Friday 9am - 5pm MST

+1 866-861-6486

Mail correspondence can be sent to:

Mito Red Light, LLC

9319 N 94th Way, Suite 400 Scottsdale, AZ 85258

FOLLOW US!

 /mitoredlight

 /mitoredlightofficial

 @MitoRedLight

 @mitoredlightofficial